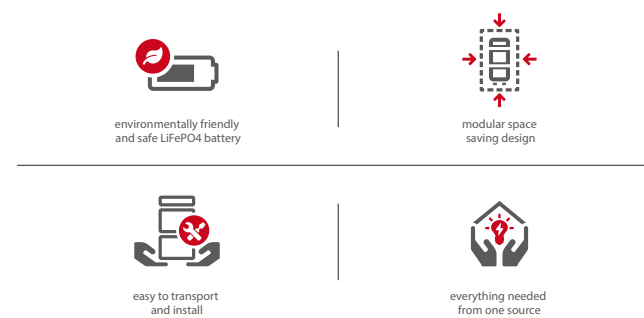




POWER BATTERY

3.8 | 5.7 | 7.6 | 9.6 | 11.5

MODULAR HIGH VOLTAGE INDOOR BATTERY FOR PV STORAGE SYSTEMS



HIGH EFFICIENCY

- LiFePO₄ technology
- 25 A charge & discharge capability
- High voltage, high efficiency, low stress operation
- Modern and space-saving design

EASY INSTALLATION

- Modular concept and simple wiring for easy transport and installation
- Lightweight components
- Master battery management system
- Plug & play

MONITORING VIA APP

- Powerful RCT RESS App
- Full data visualization
- Monitoring from every location
- Configuration options
- One click update

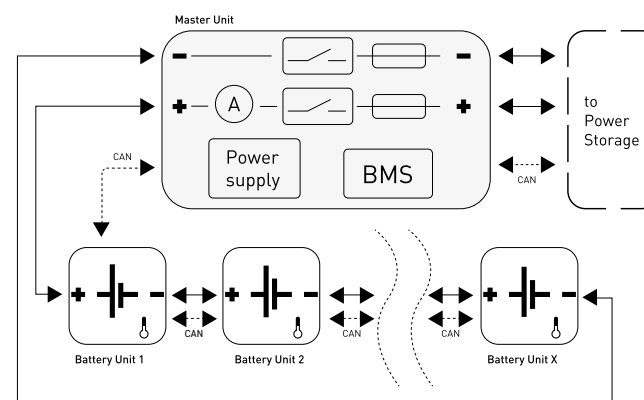
FLEXIBLE AND UPGRADEABLE

- 2 - 6 battery stacks
- Usable capacity scalable in increments of 1.7 kWh
- Upgradeable
- Suitable for back-up systems

SUSTAINABLE

- Lithium-iron-phosphate cell chemistry
- 10 years time value guarantee

BLOCK DIAGRAM



POWER BATTERY 3.8 5.7 7.6 9.6 11.5

ELECTRICAL PARAMETERS

Nominal capacity	3,84 kWh	5,76 kWh	7,68 kWh	9,60 kWh	11,52 kWh
Usable capacity (90% DoD)	3,46 kWh	5,18 kWh	6,91 kWh	8,64 kWh	10,37 kWh
Cycle Life (at 80% remaining capacity)	5000				
Voltage range	120 V...173 V	180 V ... 260 V	240 V ... 346 V	300 V ... 432 V	360 V ... 520 V
Nominal voltage	154 V	230 V	307 V	384 V	461 V
Maximum charge / discharge current	25 A / 25 A	25 A / 25 A	25 A / 25 A	25 A / 25 A	25 A / 25 A
Standby consumption	< 5 W				

INTERFACES

Power Storage interface	CAN
-------------------------	-----

GENERAL

Battery technology	LiFePO ₄				
Dimensions (height x width x depth)	1.97'x1.12'x1.12'	2.72'x1.12'x1.12'	3.48'x1.12'x1.12'	4.23'x1.12'x1.12'	4.99'x1.12'x1.12'
Weight (single module 52.9 lb)	119.0 lb	172.0 lb	224.9 lb	277.8 lb	330.7 lb
Number of battery units	2	3	4	5	6
IP degree of protection	IP42				
Type of installation	floor stand / indoor				
Operating temperature range	5°F ~ 122 °F				
Connector type	Quick Contact MC4 - Evo 2				

SAFETY / STANDARDS

Safety class	I
Certificates	UN 38-3, UL1973, UL60730-1, UL9540A
EMC	FCC Part 15B
Safety	UL1973, UL60730-1, UL9540A

WARRANTY

Warranty	10 years
----------	----------



RCT RESS APP

With the powerful RCT RESS App you can manage and control all functions of your storage system. Installation, maintenance and control are made easy. The App is a flexible tool and includes comprehensive data visualisation and various configuration options.

